



Power Meter Monitor

Business and Mission-

Critical Solutions Provider

Ethernet - Fiber converter

Data Sheet



Model: PMM0502

Document: Data Sheet

Document version: 1.3

Date: September 2023



COPYRIGHT NOTICE

The information in this document is subject to change without prior notice to improve reliability, design, and function and does not represent a commitment on the part of the manufacturer.

In no event will the manufacturer be liable for direct, indirect, special, incidental, or consequential damage arising out of the use or inability to use the product or documentation, even if advised of the possibility of such damages.

This document contains proprietary information protected by copyright. All rights are reserved. No part of this manual may be reproduced by any mechanical, electronic, or other means in any form without prior written permission of the manufacturer.

TRADEMARKS

All registered trademarks and product names mentioned herein are used for identification purposes only and may be trademarks and/or registered trademarks of their respective owners.

AMI is a trademark of American Megatrends Inc.

Intel & Atom are trademarks of Intel Corporation

IBM, PC/AT, PS/2&VGA are trademarks of International Business Machines Corporation Microsoft Windows is a trademark of Microsoft Corp. RTL is the trademark of Realtek Semiconductor Co., Ltd.

DECLARATION OF CONFORMITY

This restriction is subject to protect the operational process of the system in the business environment, which will produce, use, and transmit radiofrequency energy. Harmful interference to radio communication could result if instructions to the correct installation and usage were not applied. The interference prevention cannot be guaranteed even with proper installation according to the manual. If the device causes a bad effect on the radio / TV signal. The user could preclude that by turning the device on/off.

When this device produces some harmful interference, the user can use the following measure to solve the interference problem:

1-Setting the receiving antenna's direction or location to increase the distance between this device and receiver.

2-Plug in the device's power connector into different circuits of the power outlet with the receiver.

3-If any technical support is needed, the dealer or experienced radio/TV technical personnel must be informed.

TECHNICAL SUPPORT AND SERVICE

Visit Pmm-usa.us to browse FAQs and get further details.

User should collect the following information before submitting technical support and service requests:

- Product name, model and serial number.
- Installed software (operating system, OS version, installed applications and so on).
- Full description of the problem
- Detailed information about every error.

SAFETY INSTRUCTIONS

- Only trained and qualified personnel can install, operate, or maintain the device.
- Before starting the installation, all safety precautions must be read, and warning labels affixed to the device must be observed. Doing so protects the device from damage and ensures your safety.
- Safety precautions provided in this document may not cover all safety aspects, note to always remain mindful of safety.
- PMM is not liable for any consequence that results from violation of regulations pertaining to safe operations or safety codes pertaining to design, production, and equipment usage.
- DO NOT use liquids or decontamination spray to clean the device surface and assure that it is totally disconnected while cleaning.
- Take all measures to prevent device drop before or during installation.
- Prior to connecting the device to power source, ensure the source and device voltage and power are 100% matched.
- Keep the cables in a suitable covered place.
- If the device is not used for a long time, shut off the power to avoid the damages by transient overvoltage.
- DO NOT allow any liquid flow into the device; to avoid fire or short circuit.
- The recommended storage temperature range should NOT be less than 30°C OR higher than 85°C.



Warning:

- Read the power source and device inlet carefully.
- Handle device with both hands.
- Clean and maintain the device using recommended, safe and suitable methods.



Caution:

If any unauthorized changes of settings or repairs are done without PMM approval; then user's rights of controlling this device will be canceled.



CONTENTS

PAGE

KEY FEATURES.....	4
TARGET APPLICATION.....	4
DESCRIPTION	4
TECHNICAL SPECIFICATIONS.....	5
ENCLOSURE ASSEMBLY INFORMATION.....	6
ENCLOSURE DIMENSIONS.....	7
ORDERING INFORMATION.....	8

KEY FEATURES

- Supports auto MDI-MDIX function
- DIP switch for selecting connector type SFP/SC
- DIP switch allows LFP
- Configurable store/forward modes
- 10/100BASE-TX/ 100BASE-FX converter
- Supports far end fault function
- Supports auto MDI-MDIX function
- Supports link fault pass through function
- 10-56VDC Supply voltage with Overvoltage and reverse polarity protection
- Meets all power substation requirements
- Din Rail, wall mount, panel mount and rack mount options
- Compact size with fanless design

TARGET APPLICATION

PMM0502 can perform efficiently and effectively in the PV, substation and industrial applications as:

- Ethernet - SFP Fiber Converter
- Ethernet - SC Fiber Converter

DESCRIPTION

PMM0502 is a fiber to Ethernet media converter. It allows you to connect twisted-pair networks or devices to fiber optic network links. This allows you to transfer data over secure, high-speed fiber optic cable

PMM0502 industrial grade media converter can function under harsh environmental conditions of any site. It is especially designed to meet all power substations and PV plants requirements. Furthermore, it covers all field standards of power, reliability, easy configuration and long-lasting life.

This device can be ordered with multiple power supply ratings to select from.

TECHNICAL SPECIFICATIONS

Interfaces

Fiber	2x customized fiber optics ports 1x SC , 1x SFP
Ethernet	1x 10/100/1000Base-T RJ45
LED Indicators	2x LED for full duplex and Fiber SD (Signal Detect)

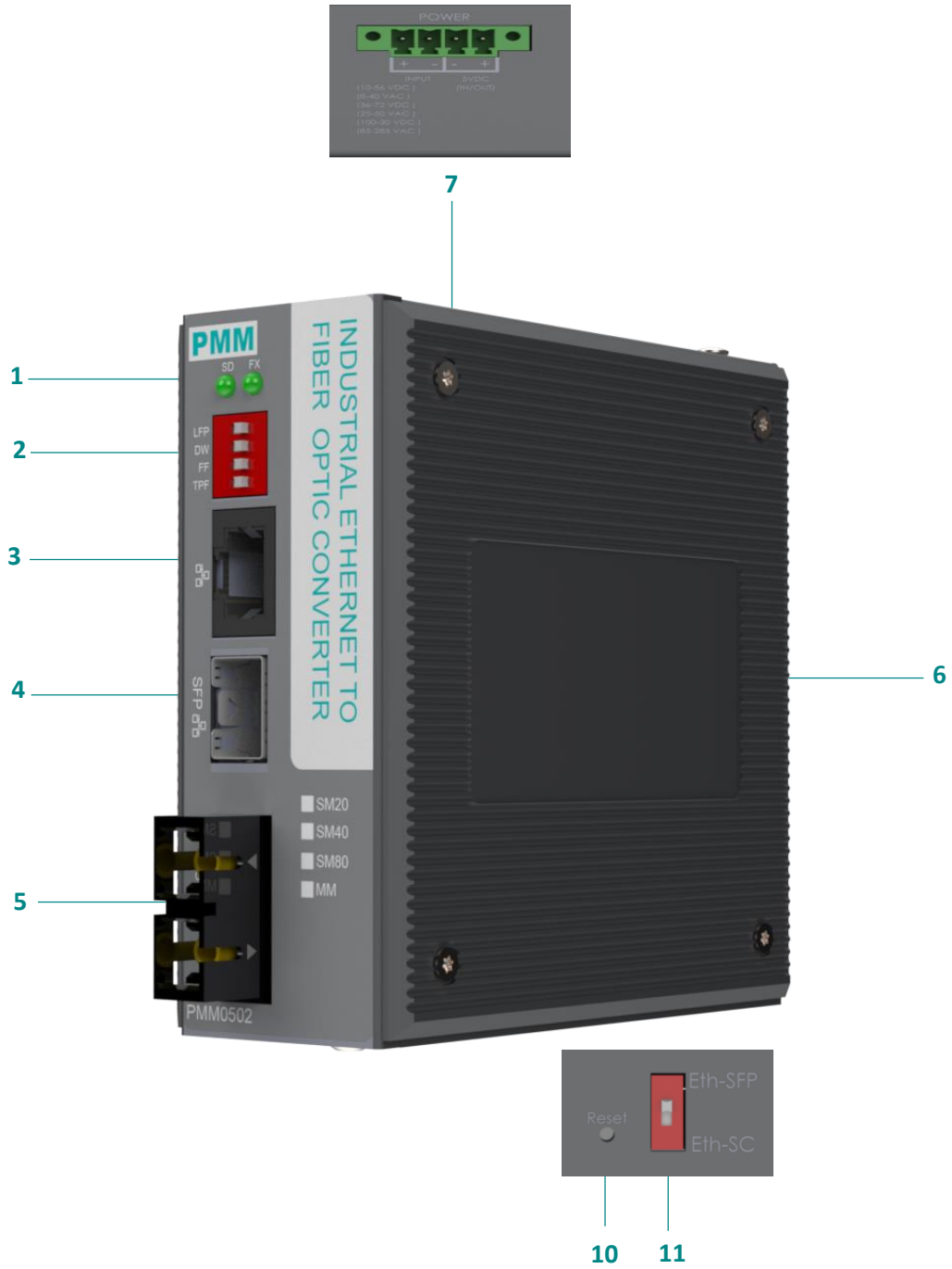
Power Parameters

Input Power Supply Options	85-265 VAC / 100-300 VDC 10-48 VAC / 10-60 VDC Direct inputs 5 VDC / 3 A
Power Connector	Phoenix Contact 4 pins 3.5mm

Physical Characteristics

Housing	Metal
Dimensions	4.05*4.05*1.45 inch (103*103*1.45 mm)
Mounting Options	DIN Rail Panel Mounting Wall Mounting 19" Rack 1U

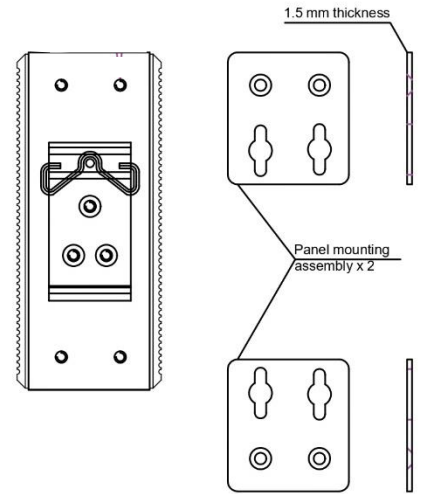
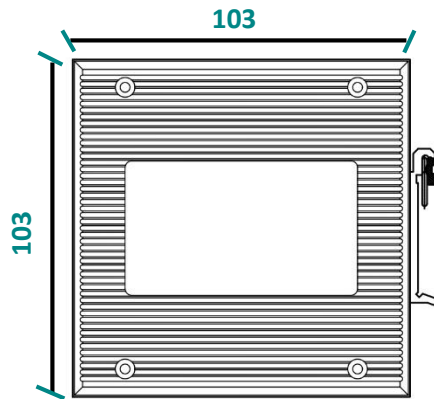
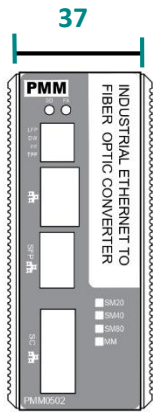
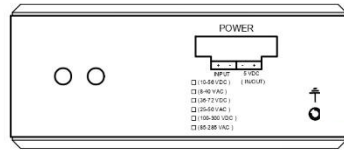
ENCLOSURE ASSEMBLY INFORMATION



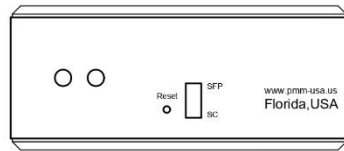
ITEM	DESCRIPTION
1	2x LED Indicators
2	DIP Switch
3	1x Ethernet Port
4	1x Fiber Optic SFP Port

5	2x Fiber Optic SC Ports
6	Heat Sink
7	Power Connector
8	1x Reset Button
9	1x Fiber optic type selector switch

ENCLOSURE DIMENSIONS



(X 2 per enclosure)



ORDERING INFORMATION

Order Configuration table			
PMM0502	- X	- XXXX	- XXXX
Power supply			
10-48 VAC / 10-60 VDC	-1		
85-265 VAC/100-300 VDC	-2		
Direct inputs 5 VDC / 3 A	-3		
Fiber Optic port 1			
SFP Connector		-SFP0	
Single Mode 20 Km /SC type connector		-SC20	
Single Mode 40 Km /SC type connector		-SC40	
Single Mode 80 Km /SC type connector		-SC80	
Fiber Optic port 2			
SFP Connector			-SFP0
Single Mode 20 Km /SC type connector			-SC20
Single Mode 40 Km /SC type connector			-SC40
Single Mode 80 Km /SC type connector			-SC80

Accessories

DIN Mount (included)	DIN Rail Mounting Bracket
Wall Mounting Kit (included)	2x Wall Mounting Bracket
Panel Mounting Kit (Optional)	2x Panel Mounting Bracket
Rack Mounting Kit (Optional)	Rack Mounting Bracket

CONTACT INFORMATION:

For direct inquiries or any customized orders, contact us on info@pmm-usa.us